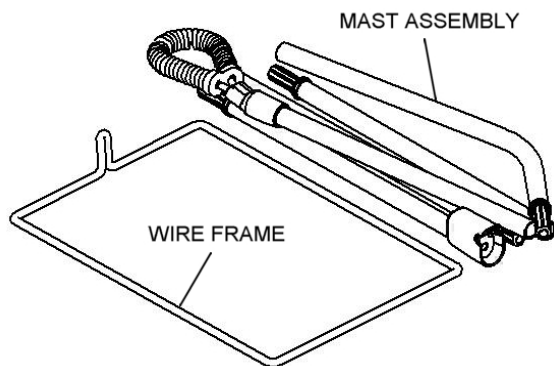


TYPE 1250 HOSE LIFT - ASSEMBLY INSTRUCTIONS

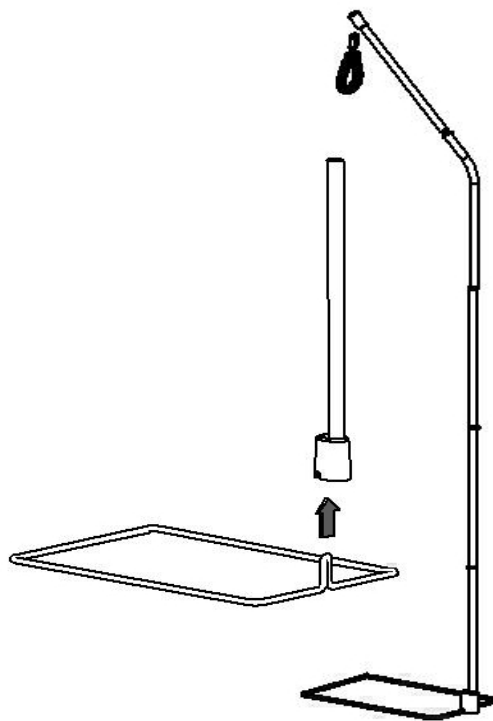
(Patent Pending)

STEP 1



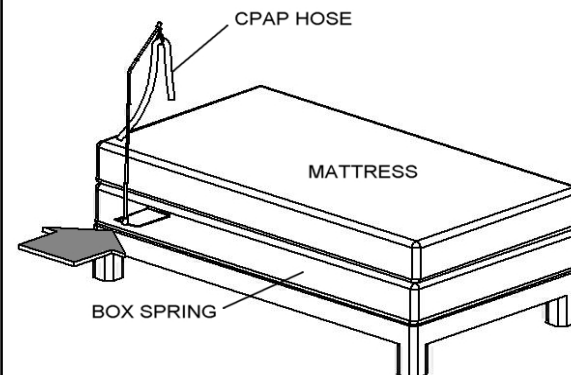
- Remove the **Wire Frame** and **Mast Assembly** from the **Travel Bag**.

STEP 2



- Assemble the **Mast Assembly** by connecting each tubing section.
- Complete the **Hose Lift** by inserting the **Wire Frame** into the base of the **Mast Assembly**.

STEP 3



- With the **Hose Lift** in the upright position Insert the **Wire Frame** between your mattress and box spring at the desired location.
- Insert your CPAP hose through the flexible loop at the top of the **Hose Lift**.
- Insure that your **Hose Lift** and CPAP hose is positioned properly to allow free movement during sleep.

Provided for your reference by

cpapXchange.com