

Mirage Activa™ Nasal Mask



The ultimate in seal and comfort

The Mirage Activa™ incorporates ActiveCell™ Technology (ACT)—ResMed's exclusive, auto-stabilizing cushion technology. ACT combines the proven comfort and seal of Mirage® cushion technology with an inflatable chamber that expands and contracts during therapy.

Automatically adapts and seals

ACT allows the mask to automatically adapt and respond to changes that occur during sleep, such as changes in body position.

Savings in time and cost

The mask's innovative design increases efficiency, reduces overall cost, and improves compliance.

Flexible forehead pads

one-piece design distributes pressure evenly and conforms to the contour of the patient's forehead

Adjustable forehead support

choose from four positions for better seal and stability

Convenient cushion clip

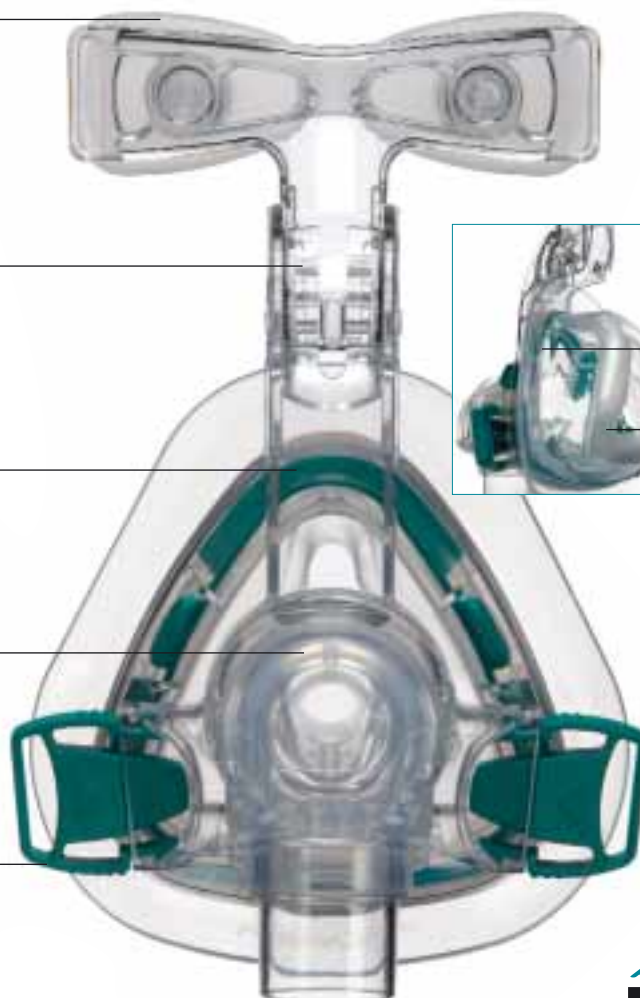
preassembled with cushion, easy to attach and detach from mask frame

One Snap elbow with 360° rotation

allows quick and easy removal of the air tube while the mask is still on the face

Quick release headgear clips

mask can be removed without resetting the headgear for optimal convenience

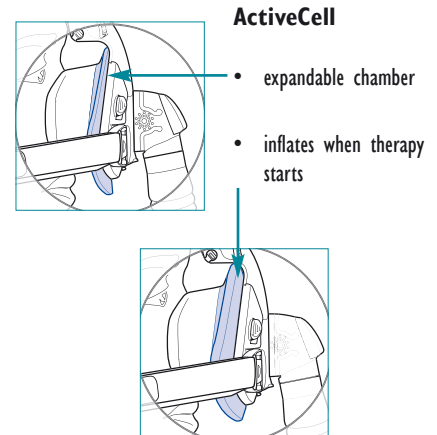


ActiveCell

Mirage dual-wall cushion

Technology highlight—ActiveCell Technology

- The ActiveCell is an inflatable chamber that expands and contracts during therapy, providing a unique, active seal and a dynamic defense against mask leak.
- ActiveCell Technology minimizes dependence on headgear strap tension.
- The ActiveCell helps prevent leak while minimizing pressure on the face.
- The ActiveCell functions as an independent suspension, keeping the cushion in place even when various forces pull or push the mask frame in different directions.



Patient benefits

- More choice of head and body positions and fewer leak-induced arousals may lead to better quality sleep.
- Reduced strap tension and minimized leak offers increased comfort.
- Set-and-forget convenience eliminates the need to continually adjust the headgear.
- Eye and skin irritation are significantly reduced.

Professional benefits

- Mirage Activa can dramatically reduce mask fitting time.
- First-time fit is likely to be achieved more easily with Mirage Activa.
- Improved comfort and therapy acceptance minimize callbacks and returns.
- Increased comfort and leak control can help optimize patient compliance.
- The Mirage Activa can be recommended with confidence.

Mirage Activa Nasal Mask System Product Codes

North and Latin America

| | |
|-----------------|-------|
| Standard | 60100 |
| Large | 60101 |
| Shallow | 60102 |

Europe and Asia Pacific

| | |
|-----------------|-------|
| Standard | 60103 |
| Large | 60104 |
| Shallow | 60105 |